

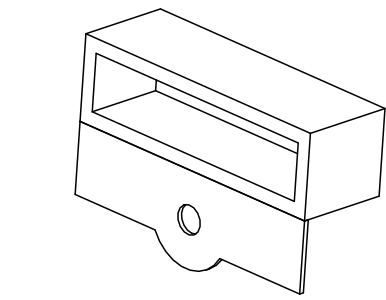
E L I S



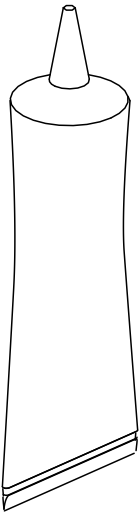
design

Návod na montáž

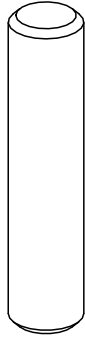
Postel Domeček Clasic se zábranou



P



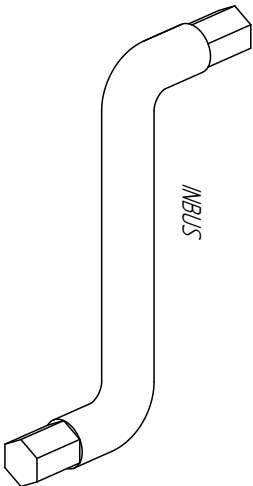
G
Lepridio



K10
M10x4,5



K8
M8x4,0



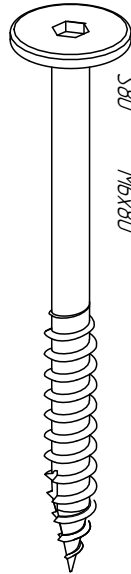
INBUS



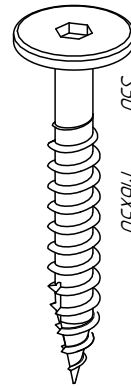
W30
M4x30



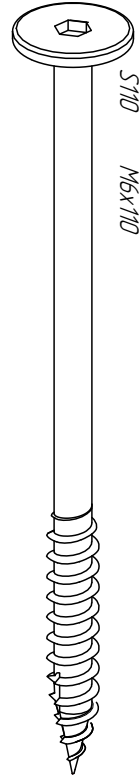
W16
M4x16



S80
M6x80



S50
M6x50



S110
M6x110

- S110 - x8
- S80 - x16
- W30 - x14
- W16 - x32
- P - x32
- K10 - x28
- K8 - x68
- G - x3
- INBUS - x1

Postel Domeček Clasic se zábranou

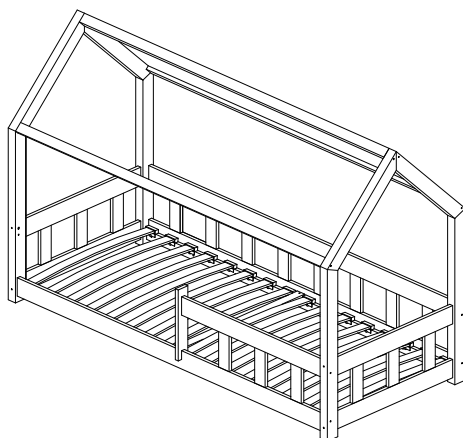
60x120 70x140 70x160

80x140 80x160 80x180

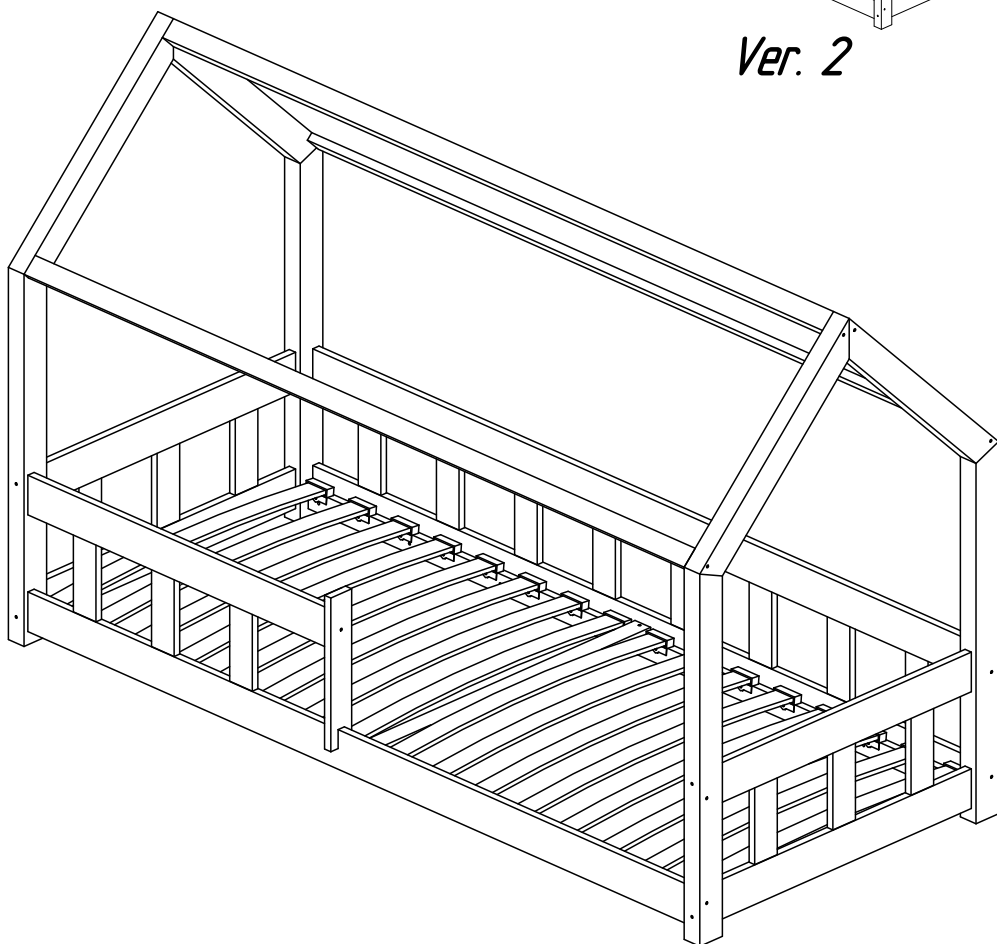
80x190 80x200

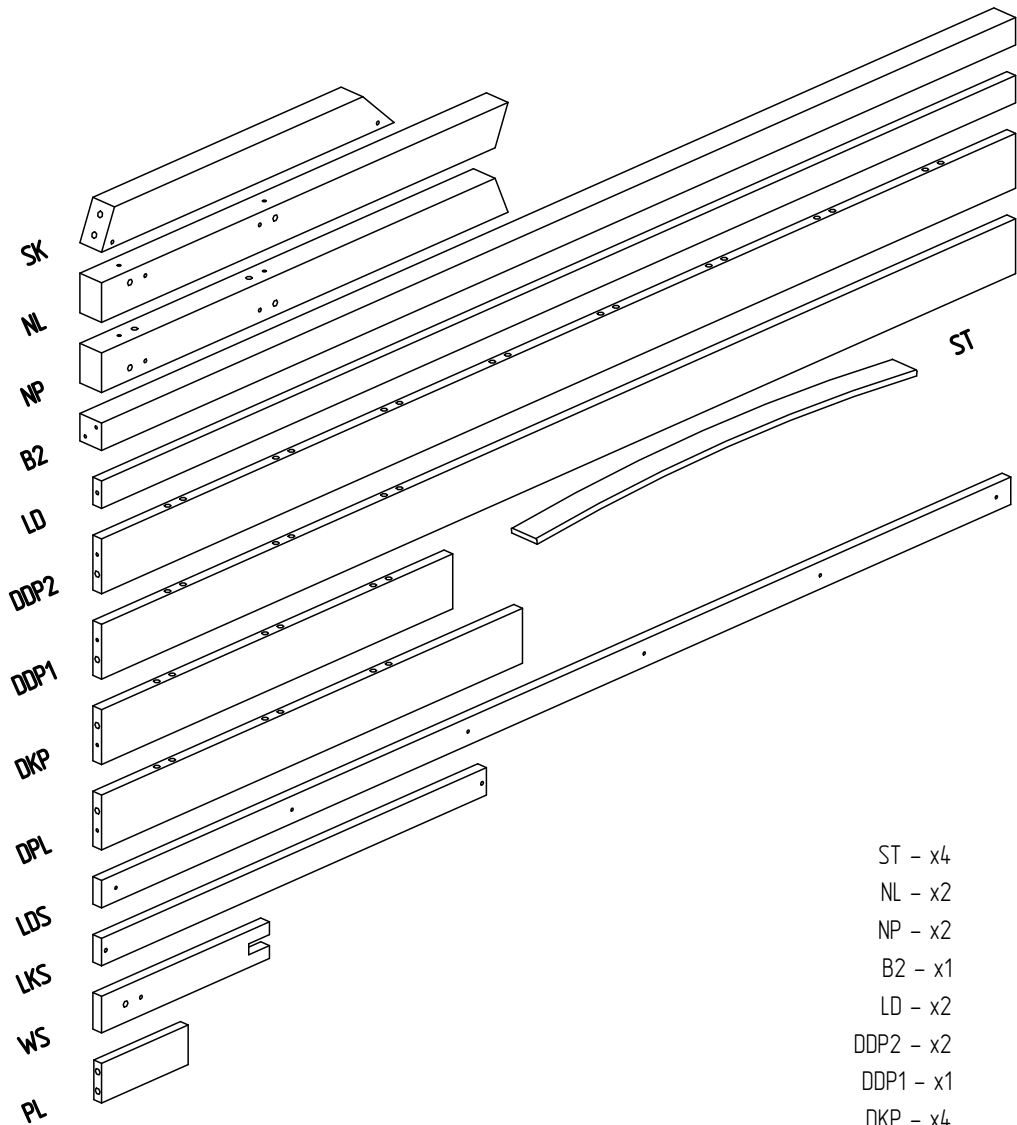
90x140 90x160 90x180

90x190 90x200

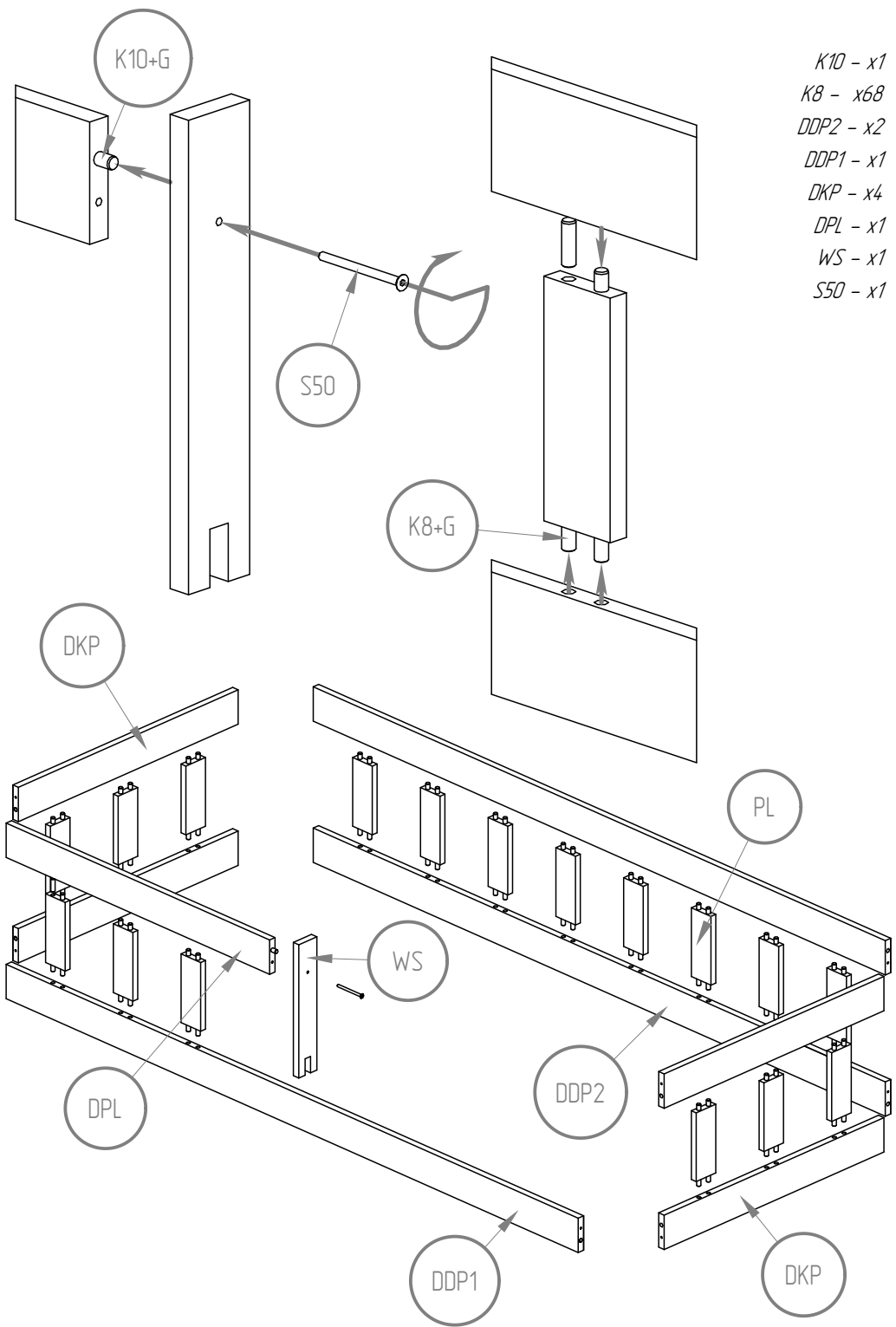


Ver. 2

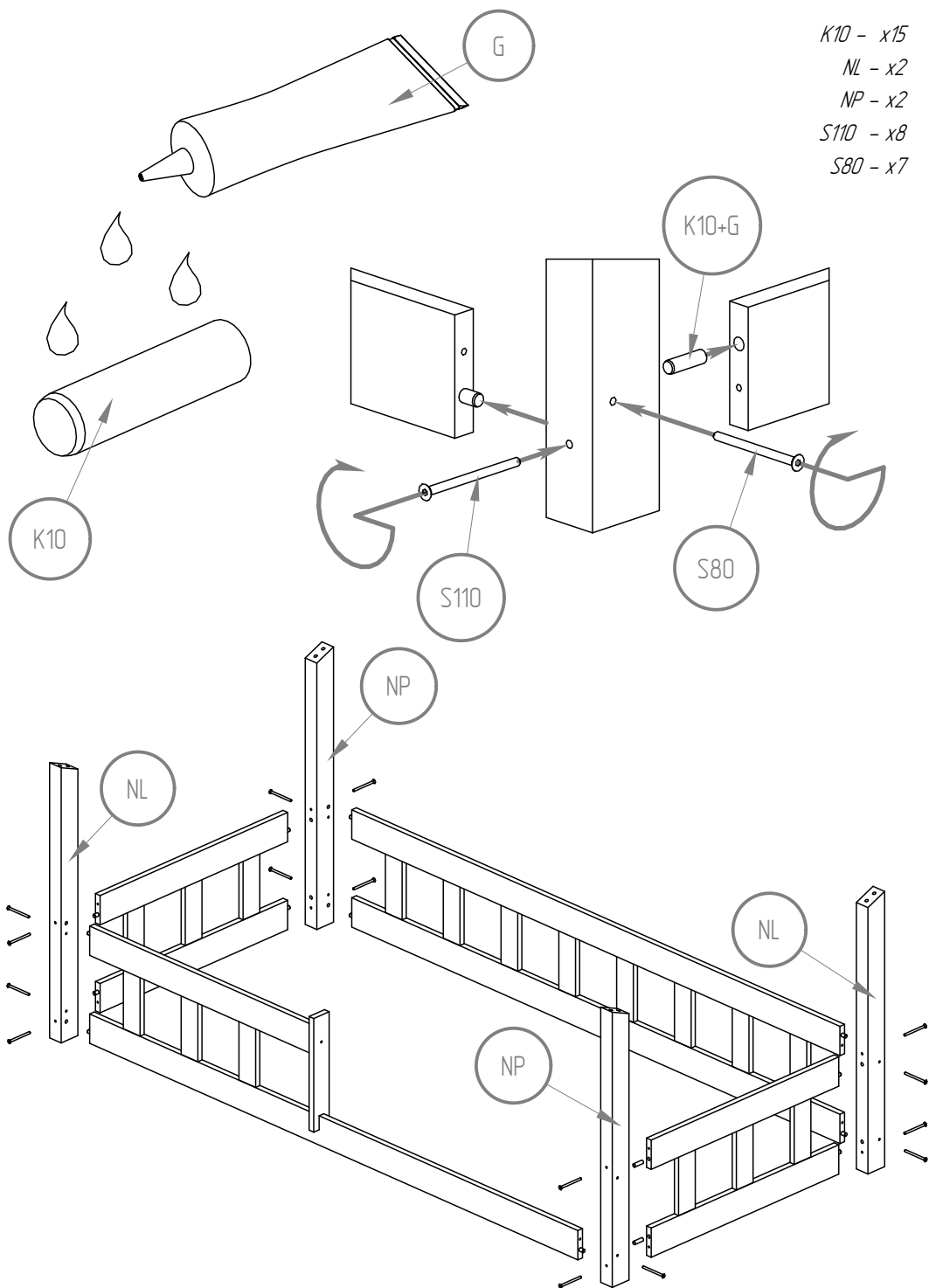


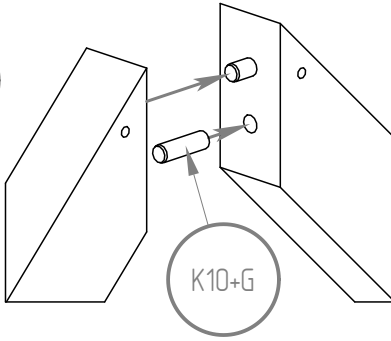
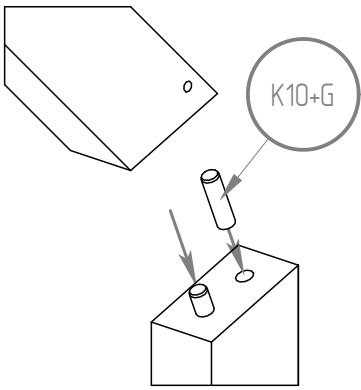


- ST - x4
- NL - x2
- NP - x2
- B2 - x1
- LD - x2
- DDP2 - x2
- DDP1 - x1
- DKP - x4
- DPL - x1
- WS - x1
- PL - x17
- LDS - x2
- LKS - x1
- ST - x16



K10 - x15
NL - x2
NP - x2
S110 - x8
S80 - x7



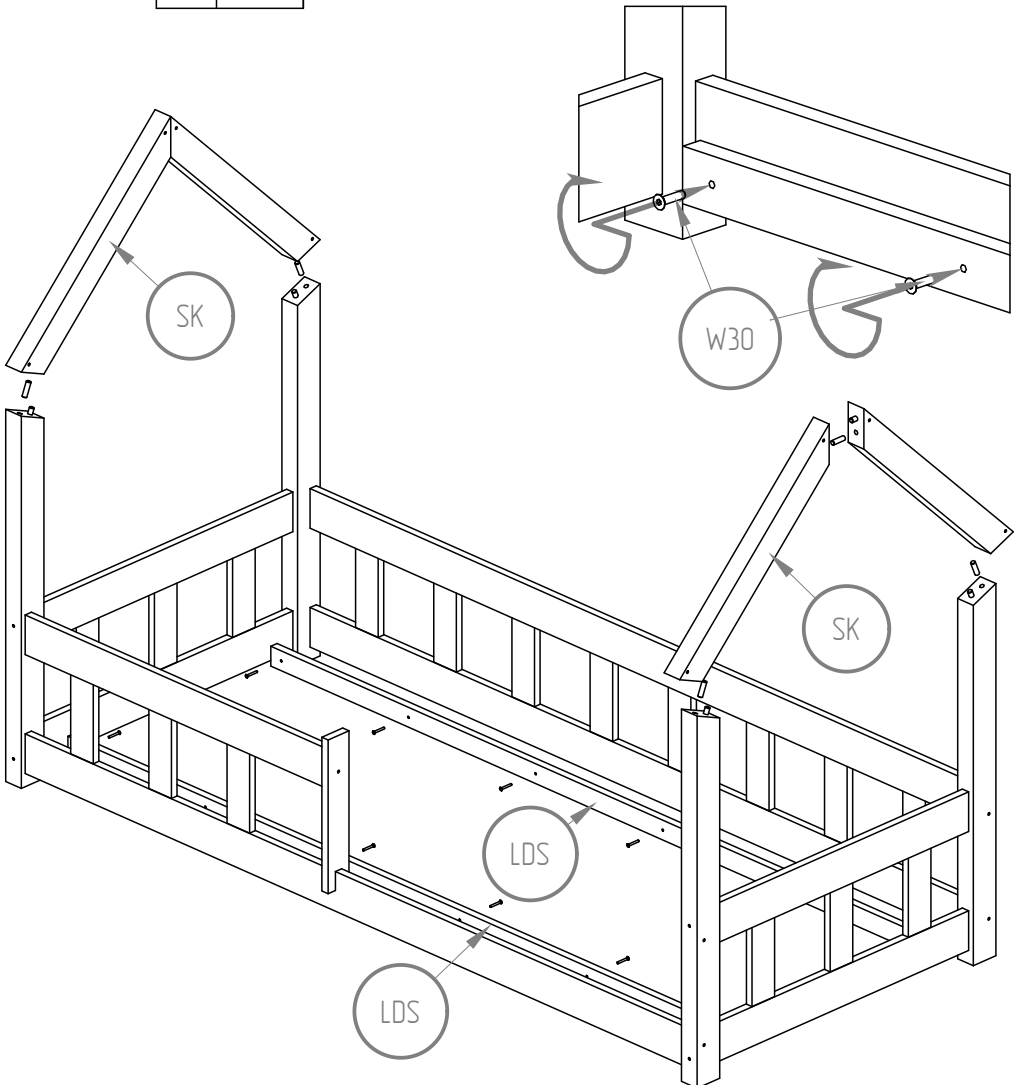


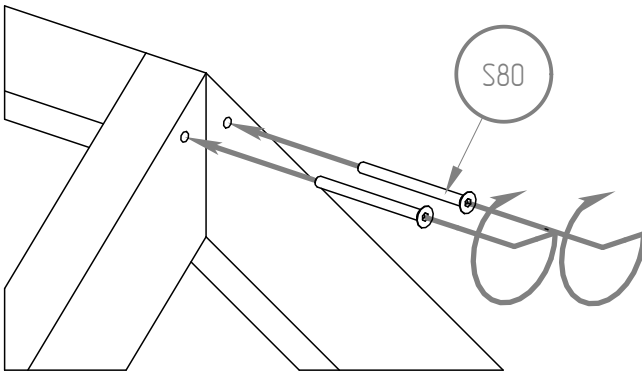
K110 - x12

SK - x4

LDS - x2

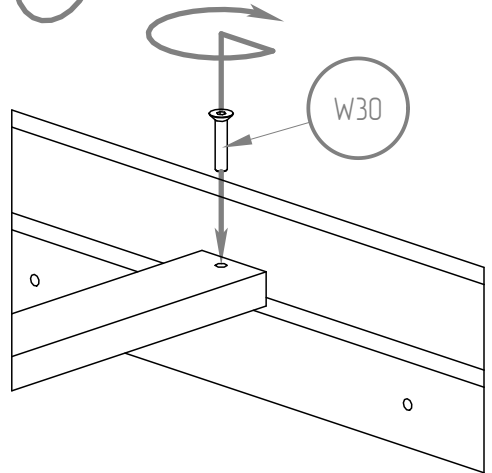
W30 - x12



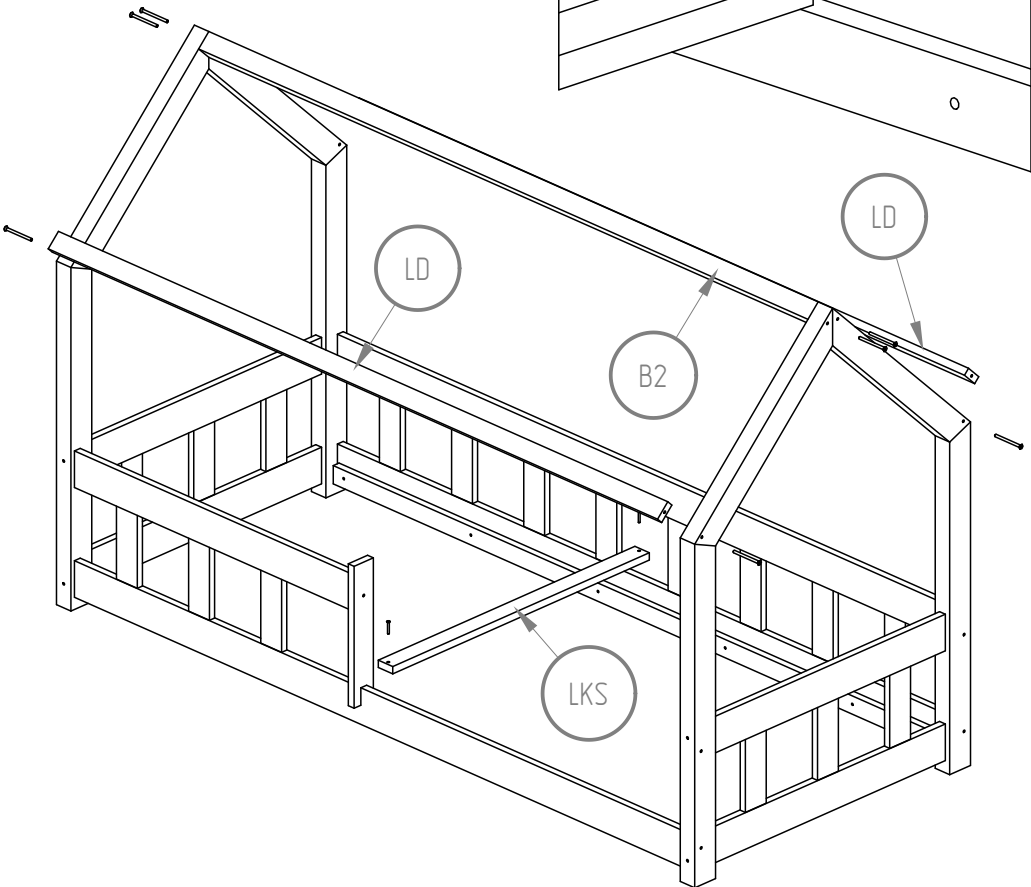


S80

- B2 - x1
- LD - x2
- LKS - x1
- S80 - x8
- W30 - x2



W30

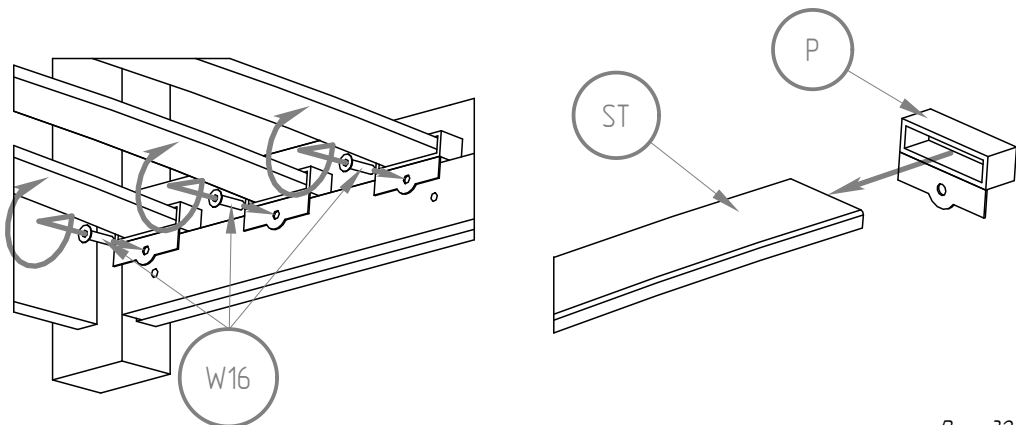


LD

B2

LKS

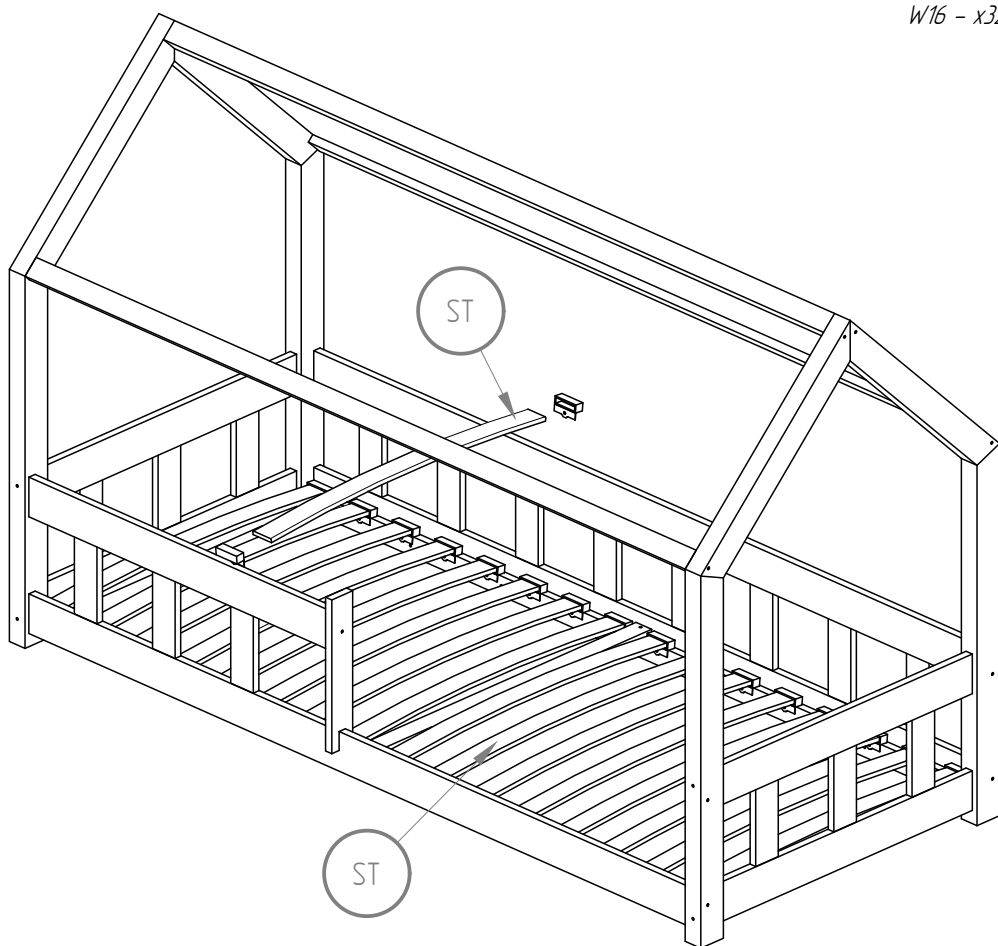
LD



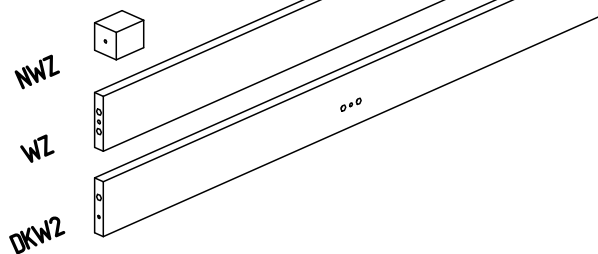
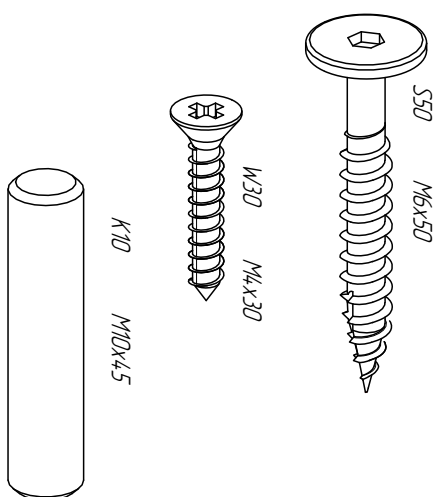
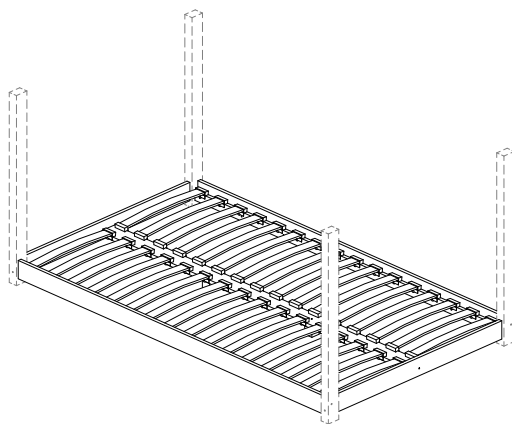
P - x32

ST - x16

W16 - x32



**Instalace postelí o šířce přes 90 cm,
doplňujeme tuto instrukci.**



+ SIZE

NWZ - x2

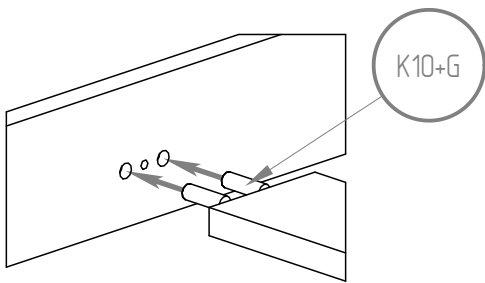
WZ - x1

DKW2 - x2

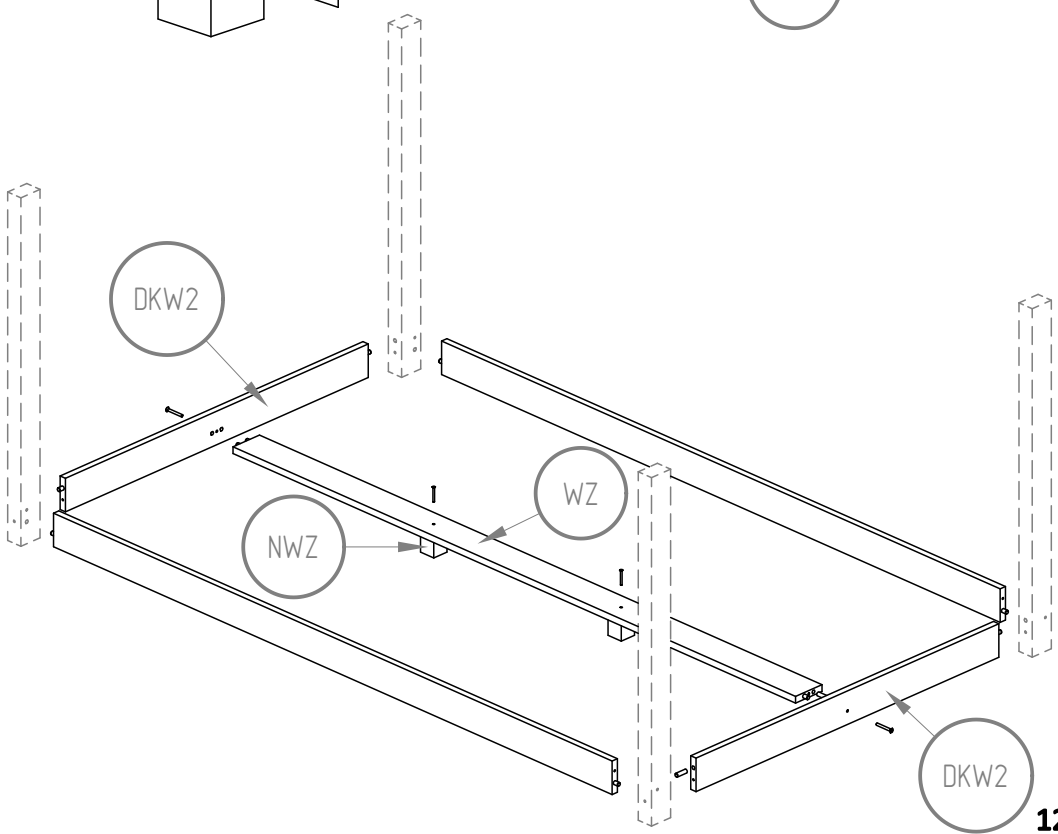
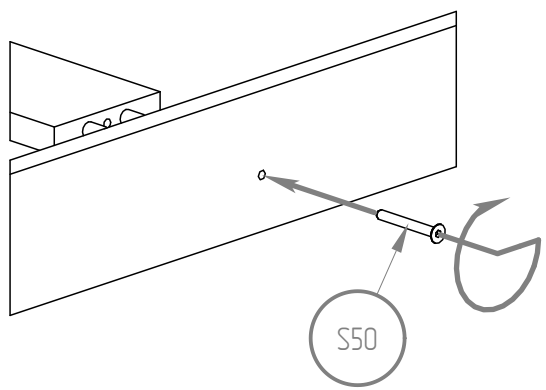
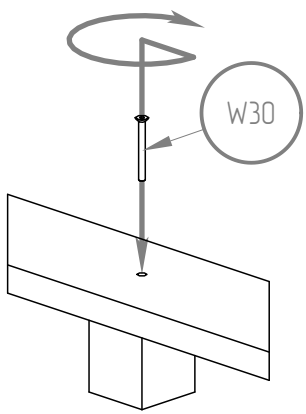
K10 - x4

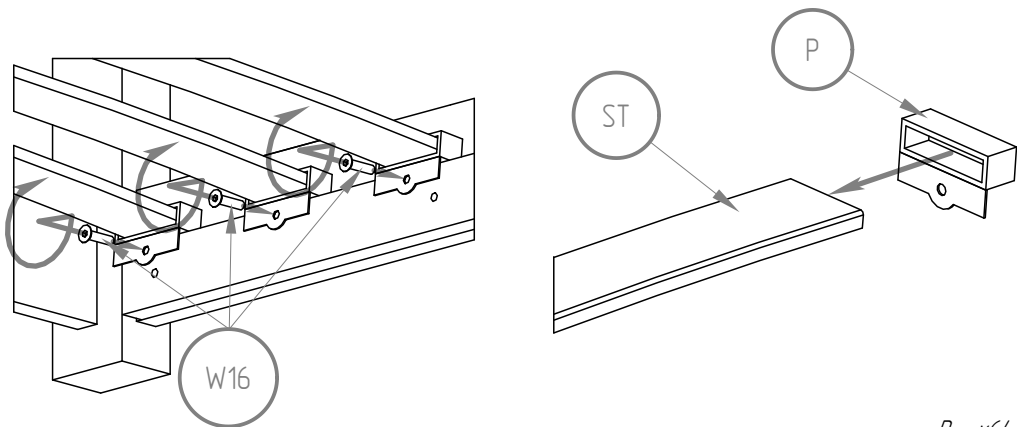
W30 - x2

S50 - x2



- K10 - x4*
- NWZ - x2*
- WZ - x1*
- DKW2 - x2*
- S50 - x2*
- W30 - x2*





P - x64
ST - x32
W16 - x64

